

LS333ANS-2: Underwater Luminaire

Warranty void if not installed as per installation instructions

DANGER

ISOLATE LUMINAIRE FROM POWER

Failure to isolate power supply before installation or maintenance may result in fire, serious injury, electric shock, death and may damage the luminaire.




WARNING

The luminaire should only be used complete with its protective shield (cover)


Do not shorten, interfere or disconnect cable from luminaire.

Warranty will be void if cable assembly is tampered with.


WARNING



AVOID HIGH CHLORINE LEVELS



NO POWER TOOLS



INSTALL AWAY FROM OTHER HEAT SOURCES

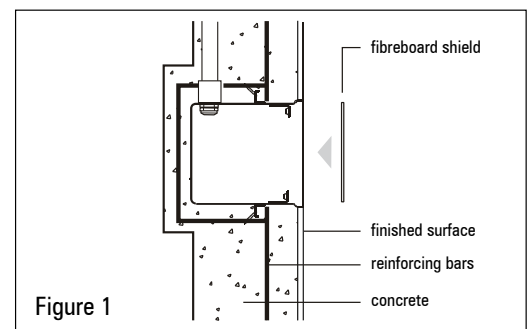
1. Installation Preparation

To aid installation of the cable the number of elbows and bends should be kept to a bare minimum. Also, using 25 mm conduit is highly recommended. Check cable length required, taking into account voltage drop and distance to transformer. **NOTE:** In Australia, each luminaire must be installed as detailed in AS3000 Clause 6.4.4.5

Power supply must be isolated prior to connection or disconnection of cables. Failure to do so will result in damage to the luminaire components.

2. Installation Preparation

Locate niche in pool and wire to reinforcing bars. **The 20 mm conduit entry should be at top of niche** (Figure 1). Although some variation is accommodated by the outer cover system on the luminaire, care should be taken to position the niche level and to allow for pool finishing materials.



3. Run Conduit & Water Proof

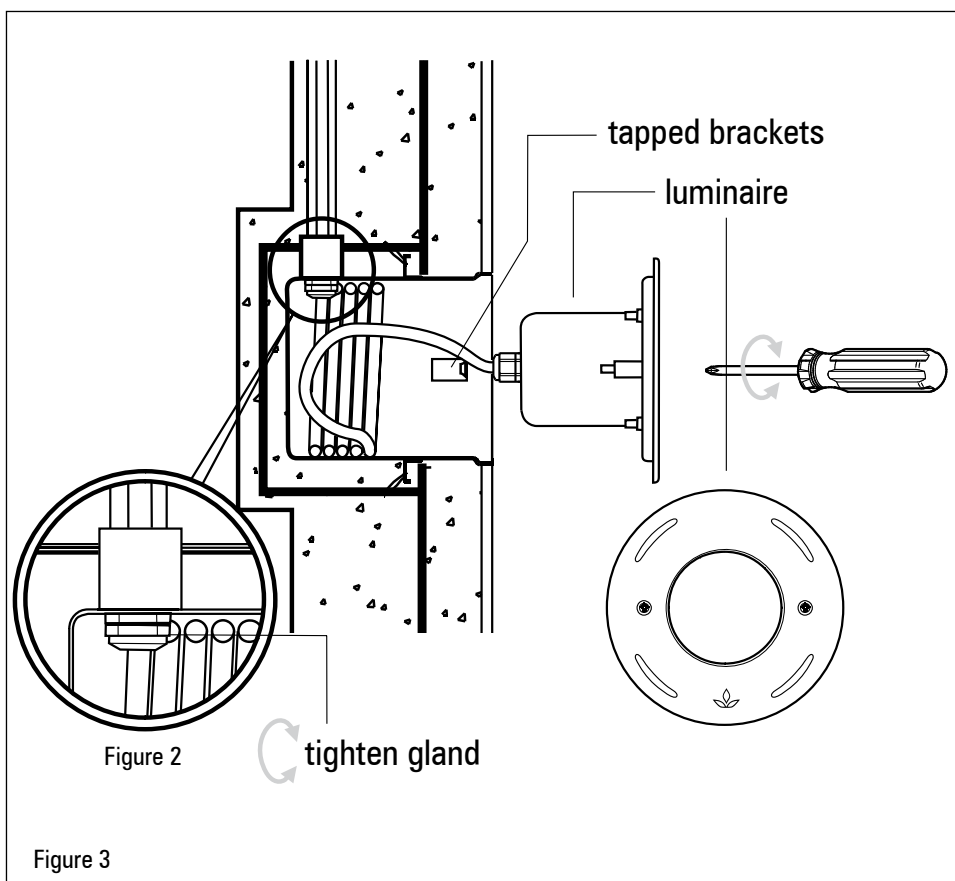
Connect conduit to conduit entry with suitable conduit sealant. Use supplied adaptor if necessary. Run the conduit to the power supply above water level and ventilate to prevent siphoning.

4. Install Temporary Shield on Niche

Fit fibreboard shield to opening of niche before concreting (Figure 1). Ensure no concrete enters niche.

5. Concrete-in Niche

Encase niche and conduit in concrete. Once in place, finish surface of pool flush with front of niche.



6. Concrete-in Niche

Feed cable into niche, allowing sufficient free cable in niche to allow the luminaire to be placed on the poolside for re-lamping and maintenance. A maximum of 1.3 m of cable can be coiled inside the niche.

7. Terminate Luminaire

Firmly tighten cable gland on the inside of niche to seal cable entry (Figure 2). Connect to a suitable power supply in accordance with local wiring rules for connection and location of supply. Where it is necessary to joint cables underwater the connections and cables must be IP68 rated

8. Install Lamp & Test Luminaire

Open luminaire and install lamp as per re-lamping instructions on next page. Test the luminaire for correct operation.

9. Install Luminaire

Coil free cable inside niche and install luminaire in niche by screwing long outer cover screws into niche brackets (Figure 3). Coil cable inside luminaire with care. Do not double coils over, or luminaire will be difficult to remove from niche.

10. Important Note

Do not locate luminaire near heat sources. Chlorine levels must be kept below 4 parts per million. Higher levels may cause corrosion to the luminaire and void warranty.

RELAMPING

1. Remove lamp gimbal from body of luminaire. Gently pull on the lamp holder leads to remove heatshield/lamp assembly from gimbal ring (fig 4).
2. Once removed, take the rim of the lamp between your thumb and forefinger. The slots provided in the heatshield allow for ease of grip. Pull to remove lamp.

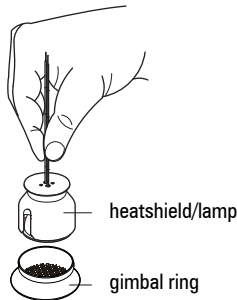


Figure 4

IMPORTANT

When installing or re-lamping, the thermal cutout **MUST** be repositioned beneath the terminal block mounting bracket, within the LS333ANS-2 luminaire (refer fig 3). Failure to do this will cause the luminaire to cycle.

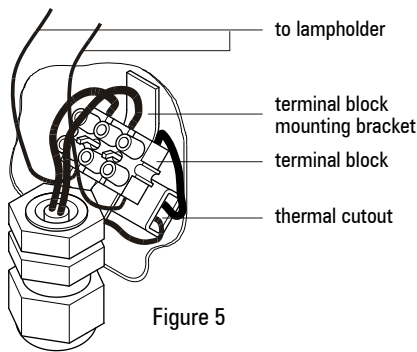


Figure 5

Questions?

Call +61 7 3286 2299

Email sales@lumascope.com.au

www.lumascope.com.au

SAFETY INSTRUCTIONS

WARNING - To reduce the risk of FIRE or INJURY:

1. Luminaires and transformers to be installed by licensed electrical contractors.
2. Luminaires to be used for intended purpose only.
3. Do not operate the luminaires with a missing or damaged parts.
4. Use only genuine Lumascope parts to replace damaged or missing components.
5. Refer to instructions for installation and operating requirements.
6. Ensure installation complies with local regulations

Voltage insulation test (megger) will permanently damage product and will void warranty.

SAVE THESE INSTRUCTIONS.