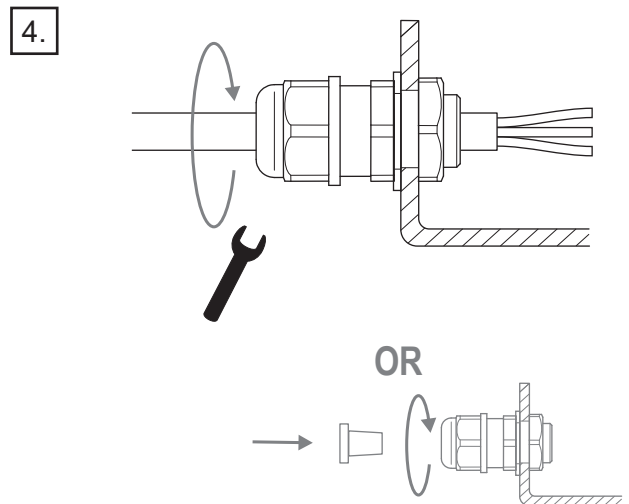
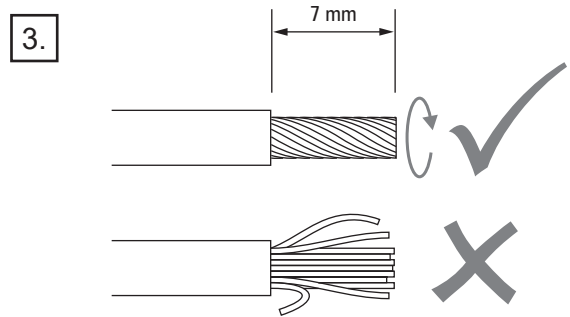
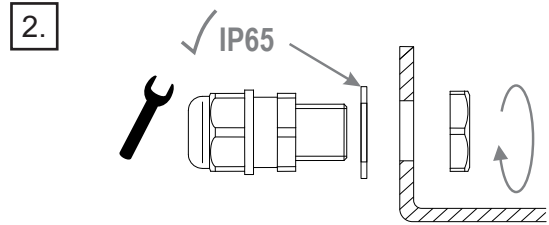
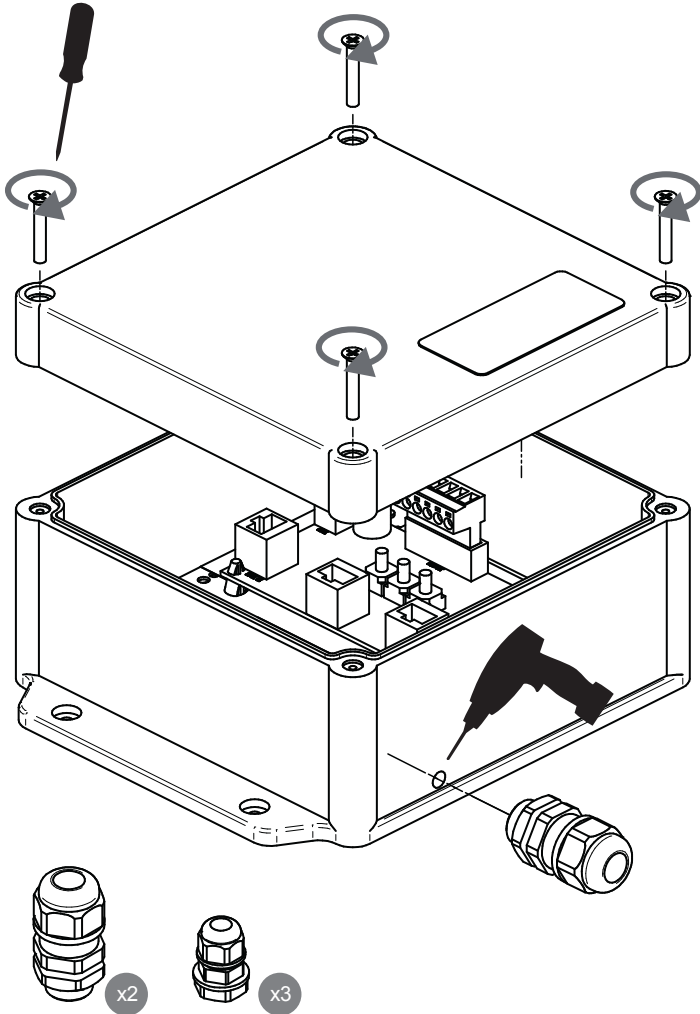


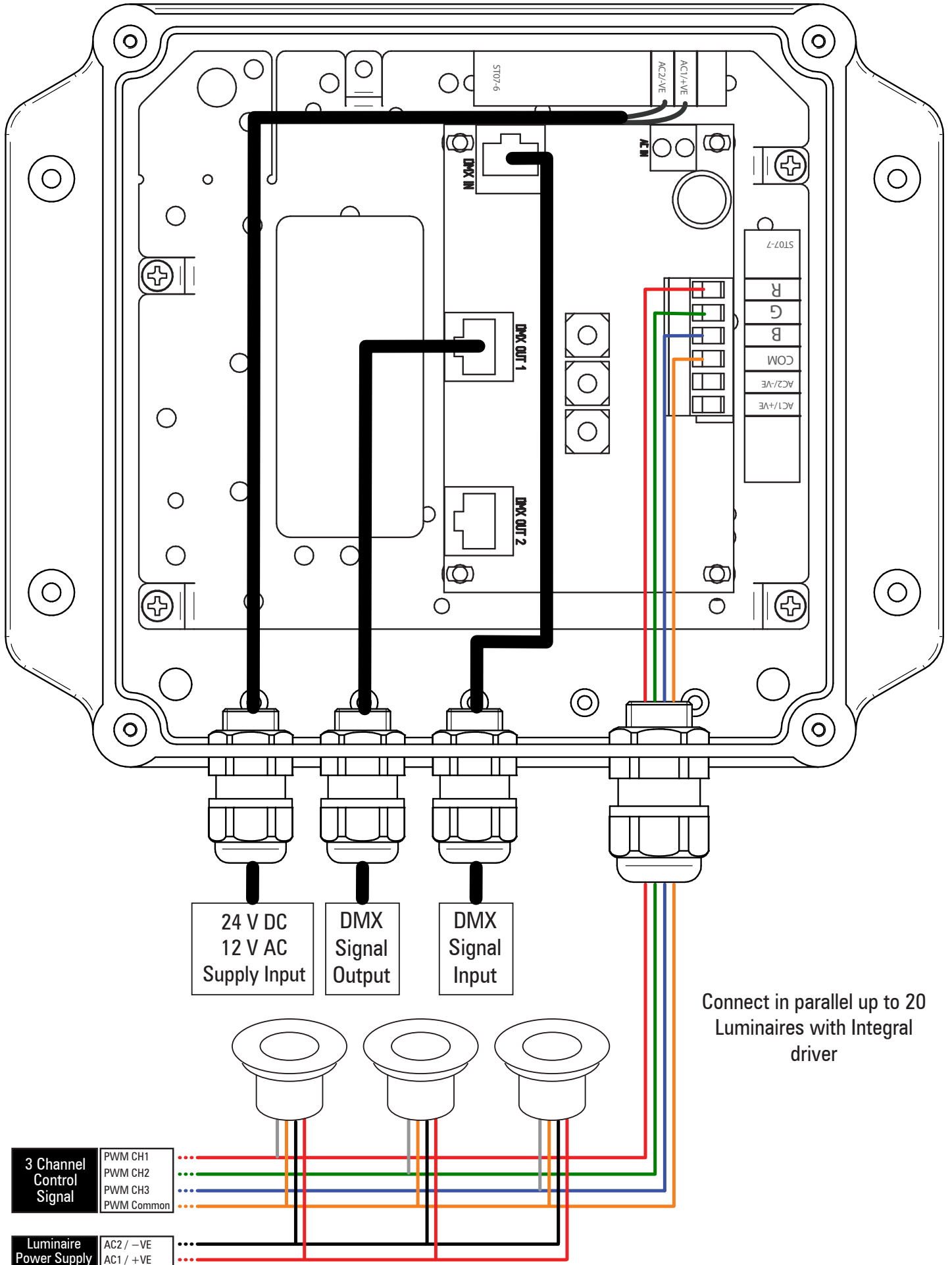
LS67100 DMX Splitter - PWM Converter

Warranty void if not installed as per installation instructions

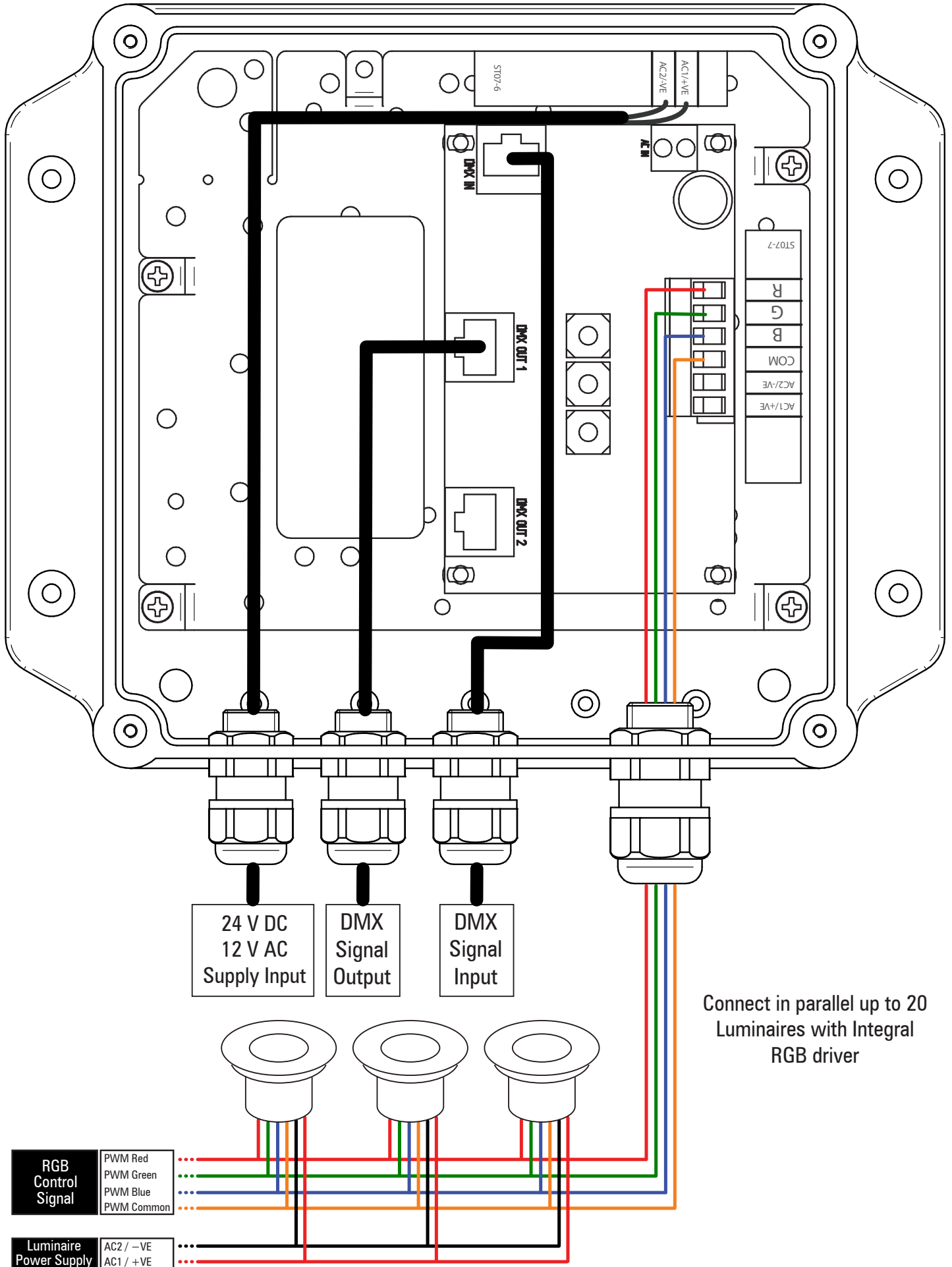
1. Install glands and connect wires
 Drill holes to install glands as required.
 Three large and two small glands are included with the enclosure.
 See wiring diagram in back for details.



WIRING DIAGRAM: SINGLE COLOUR: 3 CH



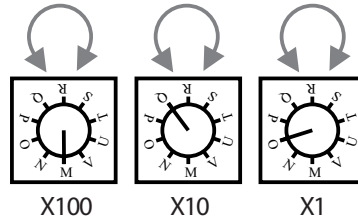
WIRING DIAGRAM: RGB



RGB Control Signal	PWM Red
	PWM Green
	PWM Blue
	PWM Common
Luminaire Power Supply	AC2 / -VE
	AC1 / +VE

ROTARY DIP SWITCH SETTINGS

6.



Example shown: 042

Set DMX address between 000-512

NOTE: A Lumascape DMX device for RGB will use the address selected plus the next 2 addresses (eg. If address selected is 021, then the DMX addresses will be Red: 021, Green: 022, Blue: 023)

OR

Automatic Sequences

The Rotating switches X100, X10 and X1 need to be configured to get the pre programmed automatic sequences.

Rotary Switch			Sequence
X100	X10	X1	
7	1	Note 1	1 (rainbow)
7	2	Note 1	2 (blue-cyan oscillate)
7	3	Note 1	3 (yellow wobble)
7	4	Note 1	4 (red white green fade)
7	5	Note 1	5 (rainbow-S)

Note 1: please see Sequence Speed Selection table for setting X1

Sequence Speed Selection

There are 10 speeds for each sequence set by the 3rd switch. The third switch will set the length of time taken to run the whole sequence.

For example, the 10 speeds for sequence 1 are as follows:

X1	Speed
0	Pause
1	1 hr
2	30 min
3	10 min
4	5 min
5	2 min
6	40 sec
7	30 sec
8	20 sec
9	10 sec

Hard Coded Colour Settings

Rotary Switch			Hard Colour
X100	X10	X1	
7	0	0	white
7	0	1	red
7	0	2	green
7	0	3	blue
7	0	4	yellow
7	0	5	cyan
7	0	6	magenta

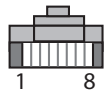
DMX Signal Input Setting

Rotary Switch			Operation Type
X100	X10	X1	
0	X	X	DMX
1	X	X	DMX
2	X	X	DMX
3	X	X	DMX
4	X	X	DMX
5	X	X	DMX

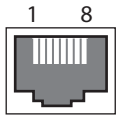
DMX PIN DESIGNATIONS

RJ45

Plug



Socket



Pin 1

Signal	Pin
Data +	1
Data -	2
Ground	7

Questions?
Call +61 7 3854 5000
Email sales@lumascope.com.au
www.lumascope.com.au

SAFETY INSTRUCTIONS

WARNING - To reduce the risk of FIRE or INJURY:

1. Luminaires and transformers to be installed by licensed electrical contractors.
2. Luminaires to be used for intended purpose only.
3. Do not operate the luminaires with a missing or damaged parts.
4. Use only genuine Lumascope parts to replace damaged or missing components.
5. Refer to instructions for installation and operating requirements.
6. Ensure installation complies with local regulations

Voltage insulation test (megger) will permanently damage product and will void warranty.

SAVE THESE INSTRUCTIONS.