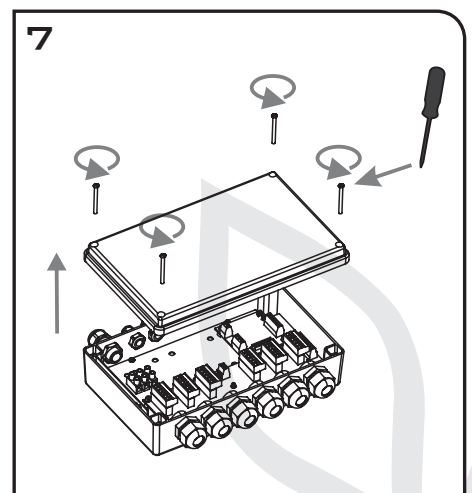
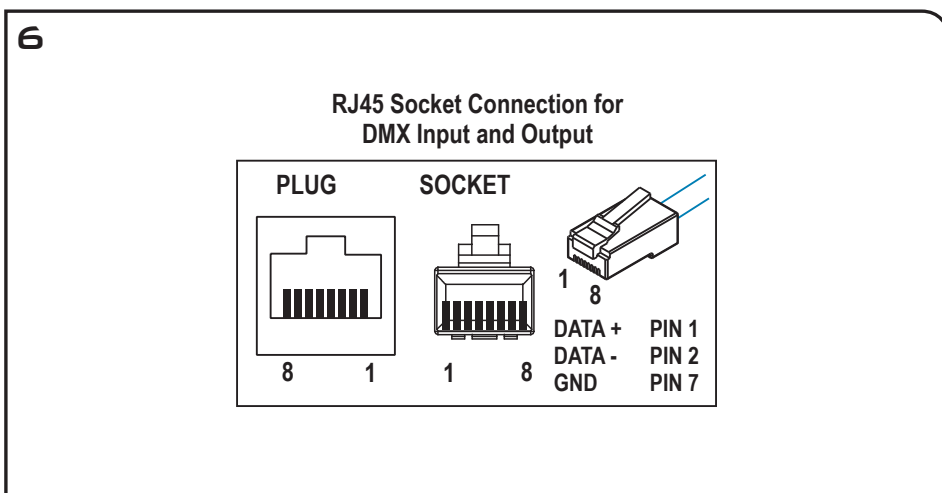
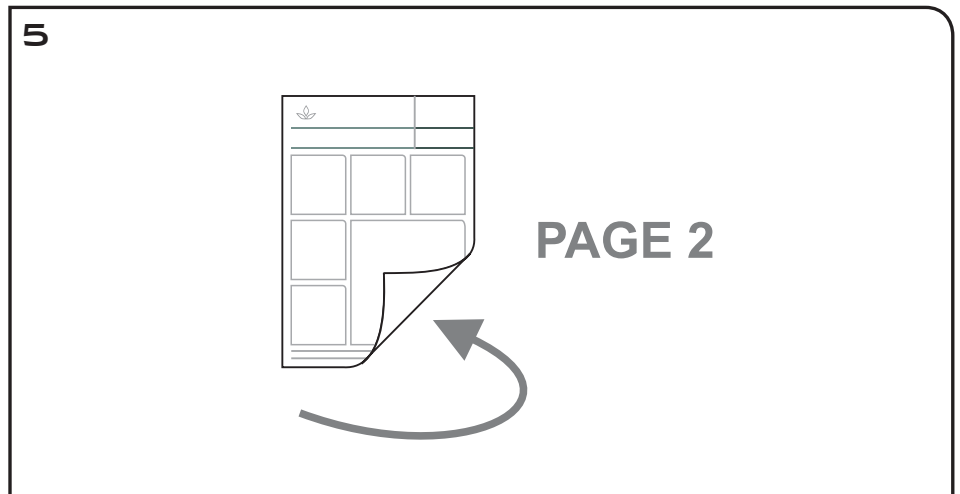
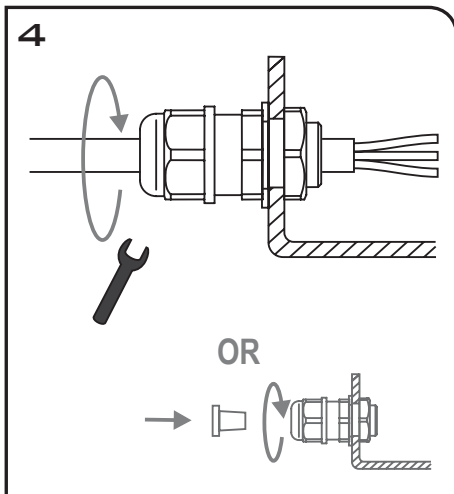
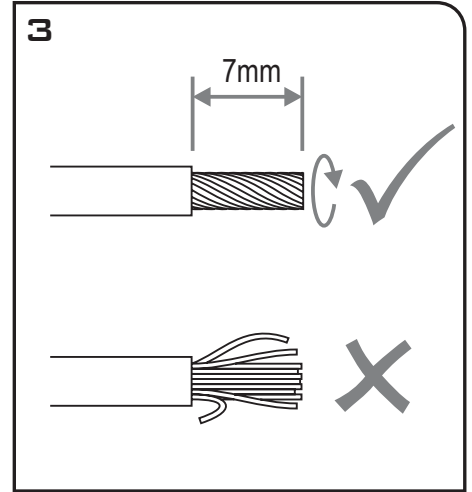
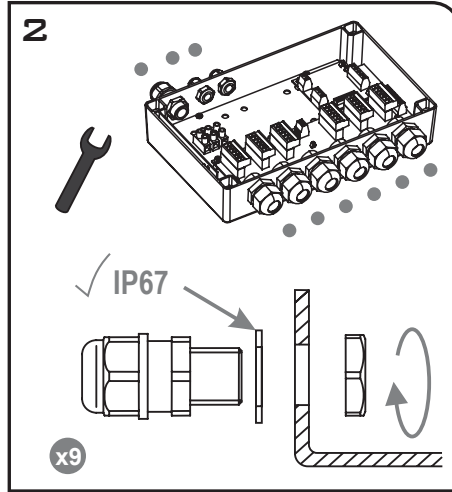
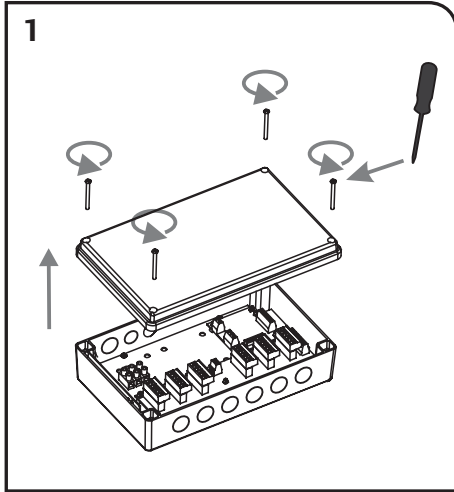


IMPORTANT INSTRUCTIONS

6 Luminaires - All luminaires changing independently
 For Installation LS67250 series DMX PWM Controllers

PAGE
1
 OF 3

Lumascap Lighting Industries Pty Ltd
 38-44 Enterprise Street, Cleveland, QLD 4163, Australia
 PO Box 1875, Cleveland D.C., QLD 4163, Australia
 T 07 3286 2299
 F 07 3286 6599
 E sales@lumascap.com.au
 W www.lumascap.com.au





LUMASCAPE

D M X

MODELS LS67250 DMX PWM Controller
 24 V DC (ripple free supply) **OR**
 12 V AC (magnetic transformer only)
 Max fixture wattage 360 W
 IP65
 Ta 50°C



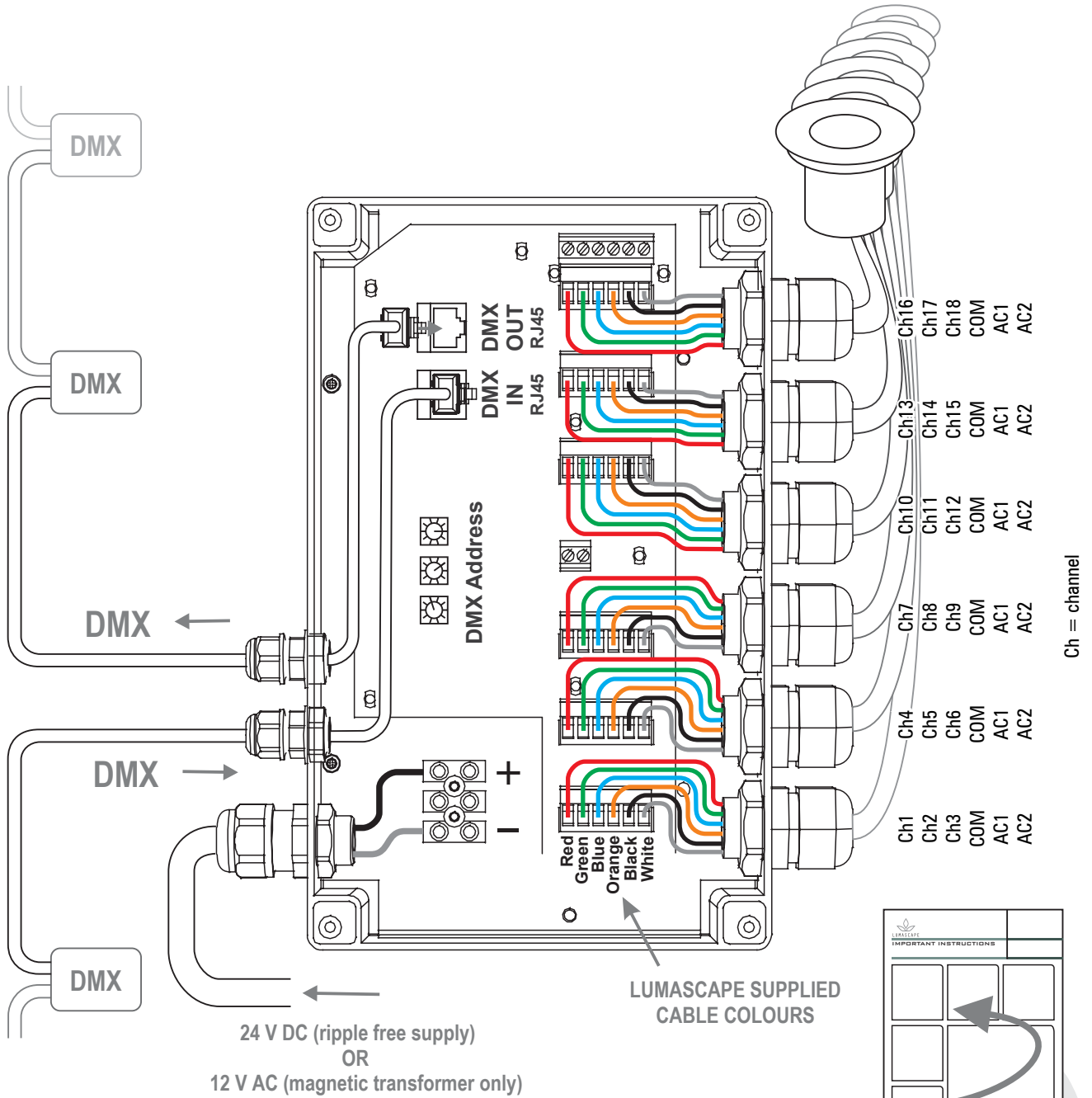
IMPORTANT INSTRUCTIONS

PAGE
2
OF 3

6 Luminaires - All luminaires changing independently
For Installation LS67250 series DMX PWM Controllers

Lumascap Lighting Industries Pty Ltd
 38-44 Enterprise Street, Cleveland, QLD 4163, Australia
 PO Box 1875, Cleveland D.C., QLD 4163, Australia
 T 07 3286 2299
 F 07 3286 6599
 E sales@lumascap.com.au
 W www.lumascap.com.au

5



www.lumascap.com.au

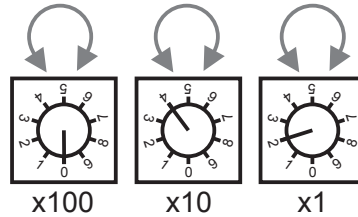
IMPORTANT INSTRUCTIONS

6 Luminaires - All luminaires changing independently
 For Installation LS67250 series DMX PWM Controllers

PAGE
3
 OF 3

Lumascap Lighting Industries Pty Ltd
 38-44 Enterprise Street, Cleveland, QLD 4163, Australia
 PO Box 1875, Cleveland D.C., QLD 4163, Australia
 T 07 3286 2299
 F 07 3286 6599
 E sales@lumascap.com.au
 W www.lumascap.com.au

ROTARY SWITCH SETTINGS



Example
 shown: 042

Set DMX address between 000 - 512

Note: A Lumascap DMX device will use the address selected plus the next 17 addresses (eg, If address selected is 022, then the DMX addresses will be - channel 1: address 022
 channel 2: address 023
 ...
 channel 18: address 039

OR

Automatic Sequences

The rotary switches X100 X10 and X1 can be configured to get the following preprogrammed automatic sequences. and set colours

| Rotary Switch | | | Sequence |
|---------------|-----|-------|--------------------------|
| X100 | X10 | X1 | |
| 7 | 1 | Note1 | 1 (rainbow) |
| 7 | 2 | Note1 | 2 (blue-cyan oscillate) |
| 7 | 3 | Note1 | 3 (yellow wobble) |
| 7 | 4 | Note1 | 4 (red white green fade) |
| 7 | 5 | Note1 | 5 (rainbow -S) |

Note 1: please see Sequence Speed Selection table for setting X1

Hard Coded Colour Settings

| Rotary Switch | | | Set Colour |
|---------------|-----|----|------------|
| X100 | X10 | X1 | |
| 7 | 0 | 0 | white |
| 7 | 0 | 1 | red |
| 7 | 0 | 2 | green |
| 7 | 0 | 3 | blue |
| 7 | 0 | 4 | yellow |
| 7 | 0 | 5 | cyan |
| 7 | 0 | 6 | magenta |

Sequence Speed Selection

There are 10 speeds for each sequence set by the 3rd switch. The third switch will set the length of time taken to run the whole sequence.

For example, the 10 speeds for sequence 1 are as follows:

| X1 | Speed |
|----|--------|
| 0 | Pause |
| 1 | 1 hr |
| 2 | 30 min |
| 3 | 10 min |
| 4 | 5 min |
| 5 | 2 min |
| 6 | 40 sec |
| 7 | 30 sec |
| 8 | 20 sec |
| 9 | 10 sec |