

The next-generation Woda W3, are a pair of high-performance projectors, designed for lasting reliability in underwater and wet/dry applications.

With an impressive output of up to 3,600 lumens, and a collection of configurable options including RGBW and static white CCTs, this luminaire offers multiple beam angles, and additional glare control accessories.

Illuminate water features, sculptural, architectural, and landscape elements with precision, in or out of the water. Easy-to-install and precision-engineered, the Woda W3 is factory-sealed with an IP68 rating and constructed from marine-grade 316 stainless steel for the ultimate in corrosion resistance.

Transform your next project with the Woda W3 and unlock endless possibilities!

Performance (48 W Option)

| Static White & Color ¹ | Lumen Output (lm) | Efficacy (lm/W) | Peak Intensity (cd) |
|-----------------------------------|-------------------|-----------------|---------------------|
| 3,000 K (80 CRI) | 3,320 | 71 | 37,500 |
| 4,000 K (80 CRI) | 3,590 | 77 | 40,600 |

¹ Lumen output values are based on a 48 W luminaire with 13° lens

| Dynamic Color ² | Lumen Output (lm) | Efficacy (lm/W) | Peak Intensity (cd) |
|--------------------------------|-------------------|-----------------|---------------------|
| RGBW (4,000 K) with Royal Blue | 2,030 | 44 | 20,900 |

² Lumen output values are based on a 48 W luminaire with 13° lens

Performance (24 W Option)

| Static White & Color ¹ | Lumen Output (lm) | Efficacy (lm/W) | Peak Intensity (cd) |
|-----------------------------------|-------------------|-----------------|---------------------|
| 3,000 K (80 CRI) | 2,000 | 83 | 22,600 |
| 4,000 K (80 CRI) | 2,170 | 90 | 24,400 |

¹ Lumen output values are based on a 24 W luminaire with 13° lens

| Dynamic Color ² | Lumen Output (lm) | Efficacy (lm/W) | Peak Intensity (cd) |
|--------------------------------|-------------------|-----------------|---------------------|
| RGBW (4,000 K) with Royal Blue | 1,270 | 55 | 13,100 |

² Lumen output values are based on a 24 W luminaire with 13° lens

| Beam Angles | 13°, 33°, 47°, 20° x 66°, 66° x 20° |
|-------------|-------------------------------------|
|-------------|-------------------------------------|



Products and specifications are subject to change without notice. LS5030-240214

Electrical

| | |
|---------------------------|----------------------------------------------------------------------------------------------------------------------------------------------|
| Power Consumption | < 25 W, < 47 W |
| Lifetime | > 140,000 hours @ 35°C Water Temperature (B10, L70, TM21 Projected) > 140,000 hours @ 50°C Ambient Temperature (B10, L70, TM21 Projected) |
| Input Voltage | Low Voltage 30 Vdc |
| Thermal Management | CoolDrive™ onboard thermal monitoring and control |

Control

| | |
|--------------------------|-------------------------------------------------------------------------------------------------------------------------------------------------------------------------------------------------------------------------------------------------------------------------------------|
| Interface | Lumascap PowerSync™ |
| Protocols | DMX/RDM, Artnet ¹ , 0 - 10 V (sink or source) ² |
| PWM Frequency | 2 kHz flicker-free dimming to 0.1% |
| RDM Functionality | PowerSync enabled Lumascap luminaires are shipped with a default RDM personality which provides smooth dimming control. For different dimming characteristics or to enable other special functionalities, the default personality can be changed through industry standard DMX/RDM. |
| Systems | Range of third-party controllers |

¹ Some protocols require additional hardware. For more information and other available protocols contact Lumascap.

² Not available for color-changing or tunable white

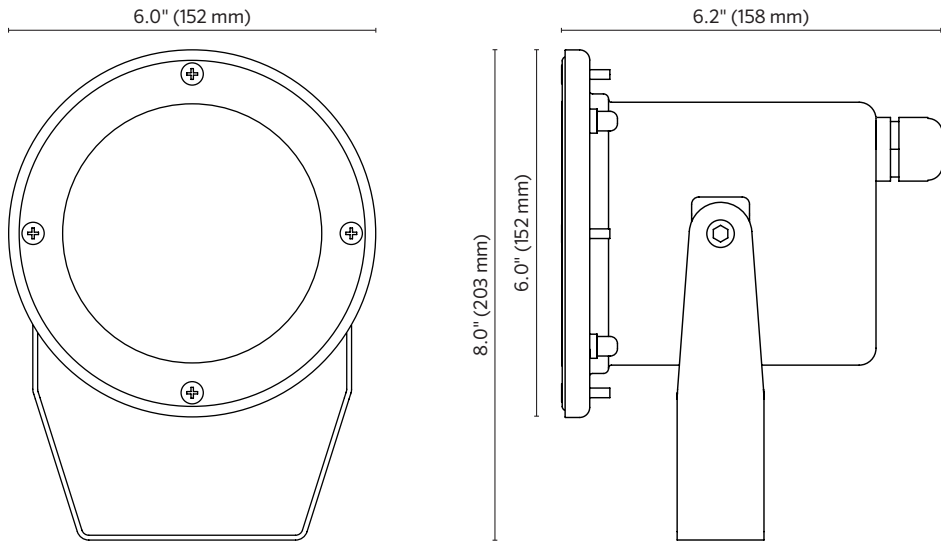
Physical

| | |
|--------------------------------------|-----------------------------------------------------------------|
| Housing | Marine-grade 316 stainless-steel with toughened glass lens |
| Finish | Three-stage ElectroPolish+™ stainless-steel finish, epoxy black |
| Installation | Surface-mounted |
| Adjustable | Multi-positional |
| Ambient Operating Temperature | -4°F to 122°F (-20°C to 50°C) |
| Water Temperature | -4°F to 95°F (-20°C to 35°C) |
| Weight | 7.7 lb (3.5 kg) |

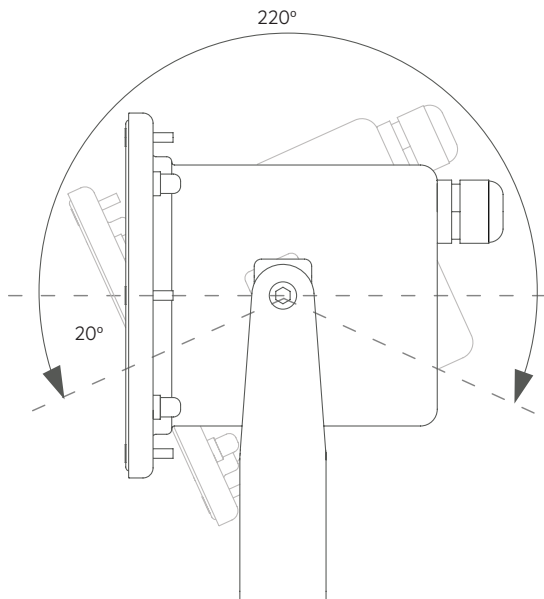
Certification & Compliance

| | |
|-----------------------|---------------------------------------------------------------------------------------------------------------|
| IP Rating | IP68 to 33' (10 m) |
| IK Rating | IK7 |
| Environment | 24 W & 48 W: Submersible (Fountain/Water Feature only) 24 W Only: Wet/Dry, Dry locations |
| Certifications | ETL, CE, RCM, FCC |

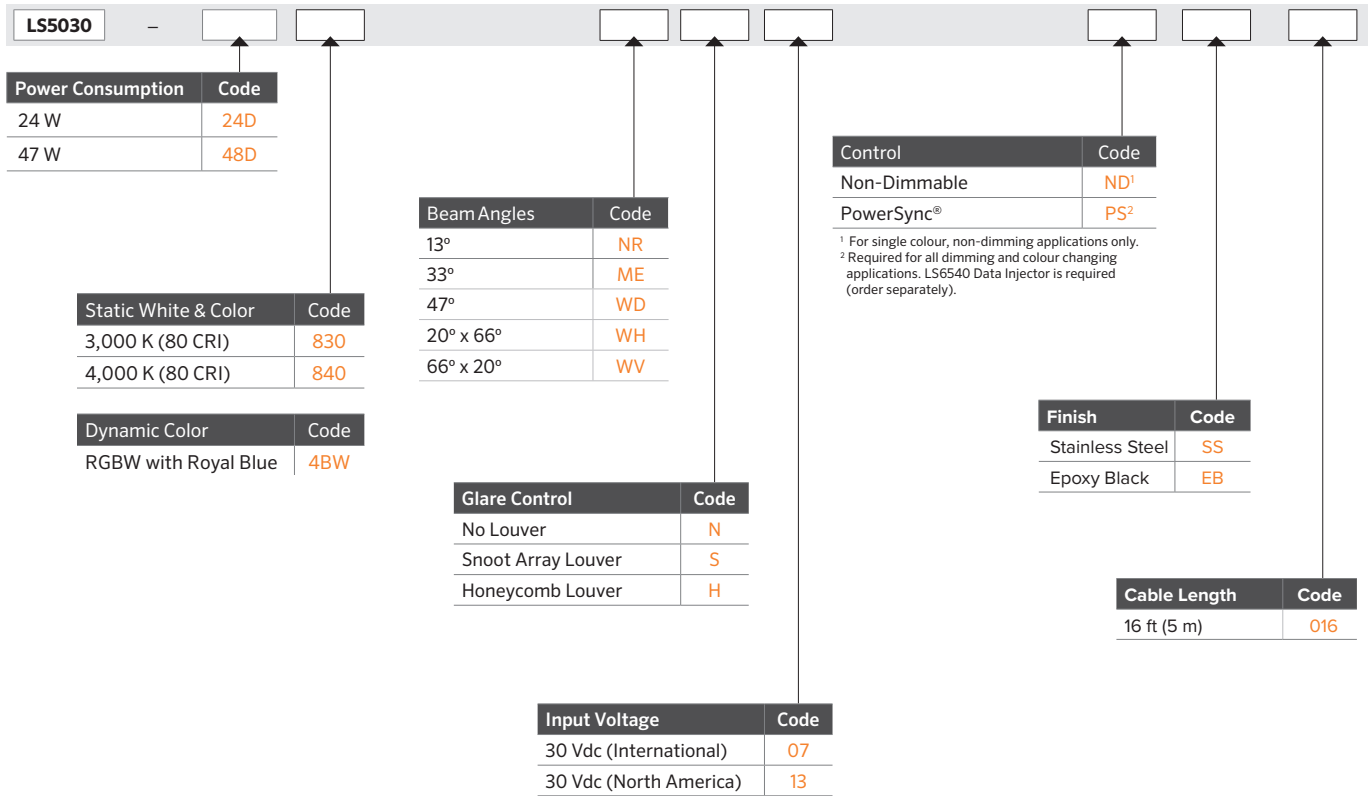
Dimensions



Luminaire Tilt



Specification Matrix



Accessories

PowerSync Low Voltage 30-48 Vdc Data Injector

Translates control signals into a digital format, delivering integral power and data to intelligent LED luminaires. This allows highly-granular addressing and high-speed digital control of every luminaire, using only three wires. The data injector is DIN rail mountable designed to be installed in a switchboard, next to the power supply and circuit breaker that is supplying power to the controlled lighting circuit. Accepts a growing list of standard protocols (0-10 V, DMX/RDM) for simple integration with a wide selection of control systems using these industry standard protocols.



Note:

PowerSync Data Injector ships with three (3) hardwired terminators and one (1) hardwired DMX terminator.

| | | | | | |
|-------------------|--------|-----------------------|------|----|--|
| LS6550 | | - | | 2D | |
| Product | Code | Control | Code | | |
| Data Injector PS4 | LS6550 | DMX/RDM, 0-10 V Input | 2D | | |

Pool, Spa and Fountain Power Supply

Combines power and dimming control into a single convenient unit. Specifically approved for pool, spa and fountain luminaires up to 30 Vdc, this power supply accepts 0-10 V or DMX protocols, with the ability to fine tune dimming output. The diecast aluminium housing features a 9-step surface treatment process, including two layers of powdercoat, making it perfect for poolside locations or other locations where corrosion/exposure is of concern. Conforms to the UL379 pool, spa and fountain power unit standard.



Suitable for use in North America Only

| | | | | | | | | | | | | | | | | | |
|----------------|------|--------------|------|-------------------|------|--------------------|------|-----------------|-----------------|---|--|----|--|---|--|---|--|
| LS6510 | | - | | 30V | | - | | 240W | | - | | 04 | | - | | - | |
| Output Voltage | Code | Light Engine | Code | Input Voltage | Code | Controls | Code | Finish | Code | | | | | | | | |
| 30 V Secondary | 30V | 240W | 240W | 120 Vac, 50/60 Hz | 04 | DMX/RDM and 0-10 V | DX | Black | BL | | | | | | | | |
| | | | | | | PowerSync | PS | Anthracite Gray | AG | | | | | | | | |
| | | | | | | | | Basalt Gray | BT | | | | | | | | |
| | | | | | | | | Graphite Gray | GH | | | | | | | | |
| | | | | | | | | Anodic Silver | SL | | | | | | | | |
| | | | | | | | | White | WT | | | | | | | | |
| | | | | | | | | Dark Bronze | DB | | | | | | | | |
| | | | | | | | | Latte | LT | | | | | | | | |
| | | | | | | | | Dark Aluminum | DA | | | | | | | | |
| | | | | | | | | Custom RAL | CC ¹ | | | | | | | | |

¹RAL color required

Wet Location Power Supply

Specifically approved for low voltage LED luminaires up to 30 Vdc, this power supply unit accepts 0-10 V or DMX protocols, with the ability to fine-tune dimming output. This makes it easier to use with many other manufacturer’s luminaires. The die-cast aluminium housing features a 9-step surface treatment process, including two layers of powder-coat, making the LS6520 perfect for poolside locations or other locations where corrosion or exposure is of concern.



Suitable for use in North America Only

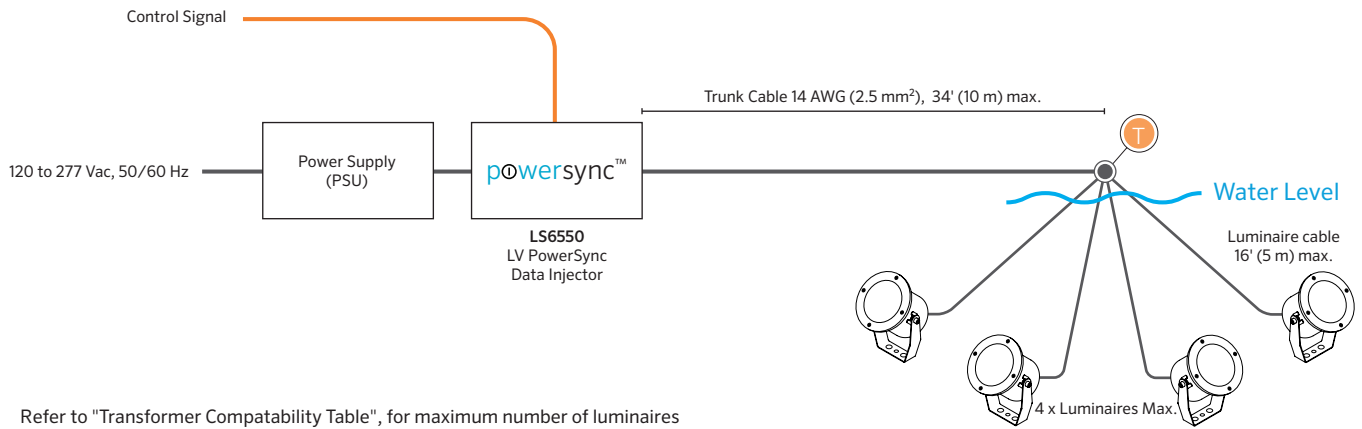
| | | | | | | | | | | | | | | | | | |
|----------------|------|--------------|------|-----------------------|------|--------------------|------|-----------------|-----------------|---|--|---|--|---|--|---|--|
| LS6520 | | - | | 30V | | - | | 09 | | - | | - | | - | | - | |
| Output Voltage | Code | Light Engine | Code | Input Voltage | Code | Controls | Code | Finish | Code | | | | | | | | |
| 30 V Secondary | 30V | 120 W | 120W | 120-277 Vac, 50/60 Hz | 09 | DMX/RDM and 0-10 V | DX | Black | BL | | | | | | | | |
| | | 240 W | 240W | | | PowerSync | PD | Anthracite Gray | AG | | | | | | | | |
| | | 320 W | 320W | | | | | Basalt Gray | BT | | | | | | | | |
| | | | | | | | | Graphite Gray | GH | | | | | | | | |
| | | | | | | | | Anodic Silver | SL | | | | | | | | |
| | | | | | | | | White | WT | | | | | | | | |
| | | | | | | | | Dark Bronze | DB | | | | | | | | |
| | | | | | | | | Latte | LT | | | | | | | | |
| | | | | | | | | Dark Aluminum | DA | | | | | | | | |
| | | | | | | | | Custom RAL | CC ¹ | | | | | | | | |

¹RAL color required

Star Topology – Recommended for Underwater Applications

International Market

Circuit Limits – Dimmable and Color-Changing via PowerSync™



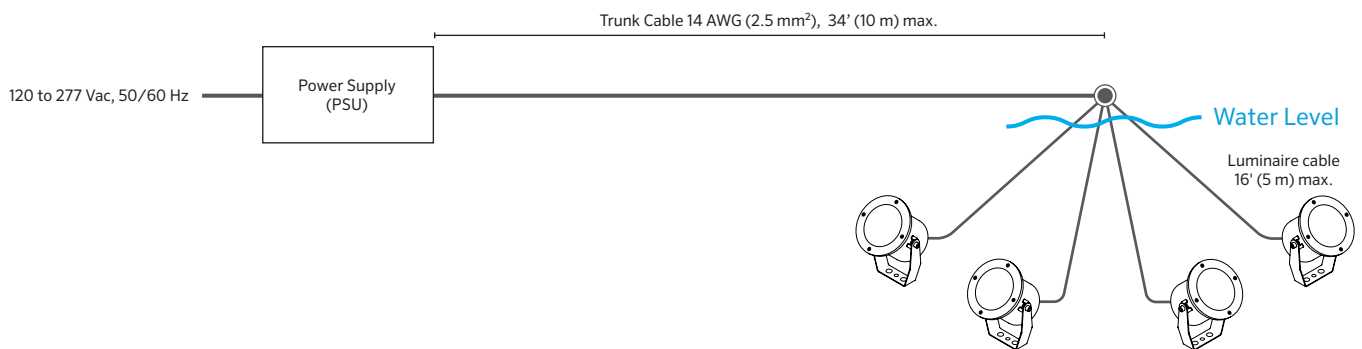
- Refer to "Transformer Compatibility Table", for maximum number of luminaires
- Calculations based on 14 AWG (2.5 mm²) trunk cable, and 16' (5 m) luminaire cable from junction to fittings.
- Always observe local electrical codes for branch circuit current limitations
- For other configurations, contact Lumascape.

Transformer Compatibility Table

| Luminaire Power | Max. Leader Cable Length from Power Supply to First Luminaire | Maximum Number of Luminaires per Power Supply | | |
|-----------------|---------------------------------------------------------------|-----------------------------------------------|-------|-------|
| | | 120 W | 240 W | 320 W |
| 24 W | 34' (10 m) | 4 | 4 | 4 |
| 48 W | 34' (10 m) | 2 | 4 | 4 |

T Terminator
Use PowerSync™ terminator, supplied with leader cable to terminate last luminaire in chain.

Circuit Limits – Non-Dimmable, Single Color Only



- Refer to "Transformer Compatibility Table", for maximum number of luminaires
- Calculations based on 14 AWG (2.5 mm²) trunk cable, and 16' (5 m) luminaire cable from junction to fittings.
- Always observe local electrical codes for branch circuit current limitations
- For other configurations, contact Lumascape.

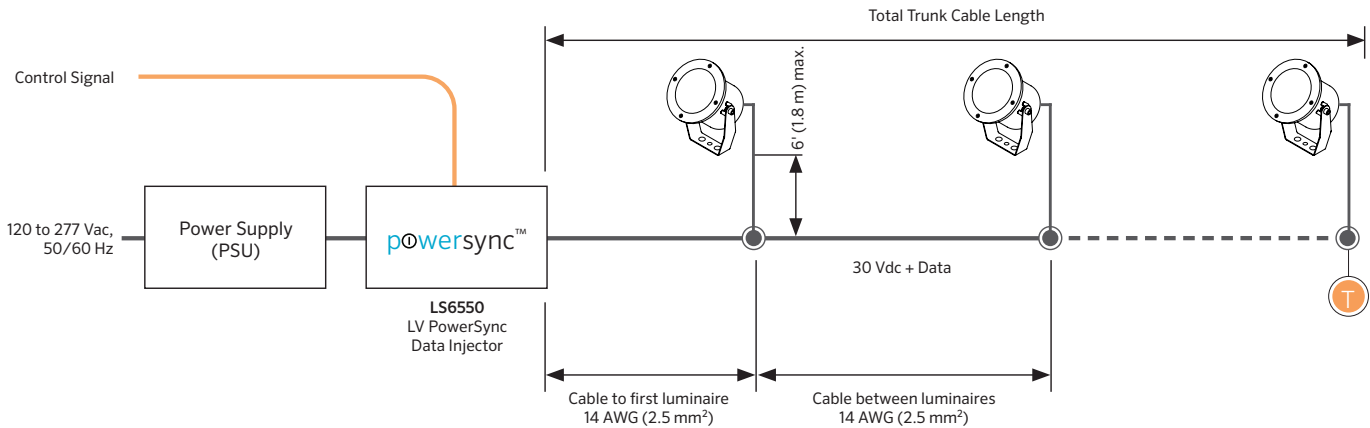
Transformer Compatibility Table

| Luminaire Power | Max. Leader Cable Length from Power Supply to First Luminaire | Maximum Number of Luminaires per Power Supply | | |
|-----------------|---------------------------------------------------------------|-----------------------------------------------|-------|-------|
| | | 120 W | 240 W | 320 W |
| 24 W | 34' (10 m) | 4 | 8 | 10 |
| 48 W | 34' (10 m) | 2 | 4 | 5 |

Trunk Topology – Recommended for Above Water Applications

International Market

Circuit Limits – Dimmable and Color-Changing via PowerSync™



- Refer to "Transformer Compatibility Table", for maximum number of luminaires
- Calculations based on 14 AWG (2.5 mm²) trunk cable, and 16' (5 m) trunk cable between luminaires.
- Always observe local electrical codes for branch circuit current limitations
- For other configurations, contact Lumascope.

Transformer Compatibility Table

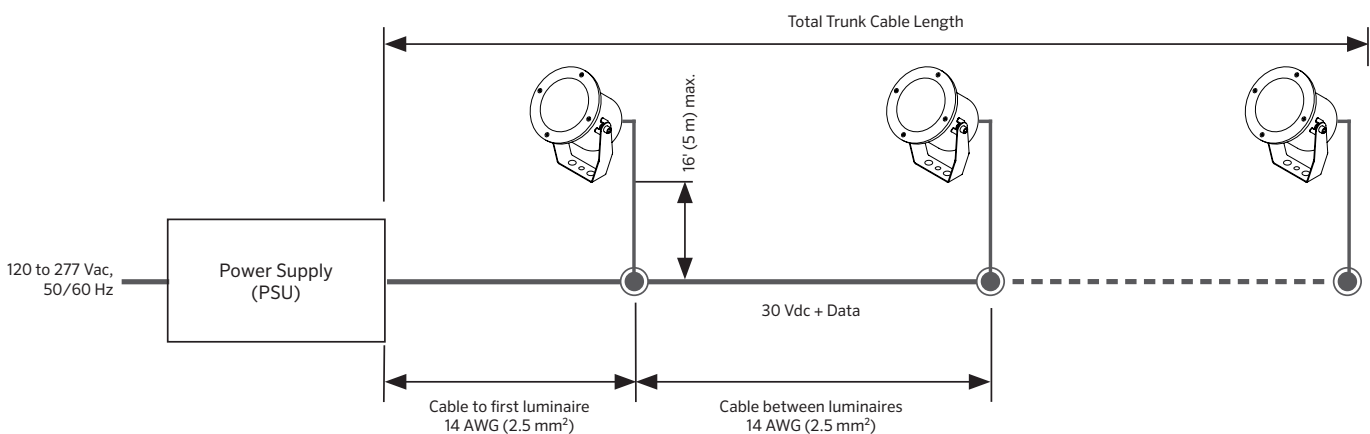
| Luminaire Power | Max. Leader Cable Length from Power Supply to First Luminaire | Maximum Number of Luminaires per Power Supply | | |
|-----------------|---------------------------------------------------------------|-----------------------------------------------|-------|-------|
| | | 120 W | 240 W | 320 W |
| 24 W | 50' (15 m) | 4 | 7 | 7 |
| | 98' (30 m) | 4 | 5 | 5 |
| | 164' (50 m) | 3 | 4 | 4 |



Terminator

Use PowerSync™ terminator, supplied with leader cable to terminate last luminaire in chain.

Circuit Limits – Non-Dimmable, Single Color Only



- Refer to "Transformer Compatibility Table", for maximum number of luminaires
- Calculations based on 14 AWG (2.5 mm²) trunk cable, and 16' (5 m) trunk cable between luminaires.
- Always observe local electrical codes for branch circuit current limitations
- For other configurations, contact Lumascope.

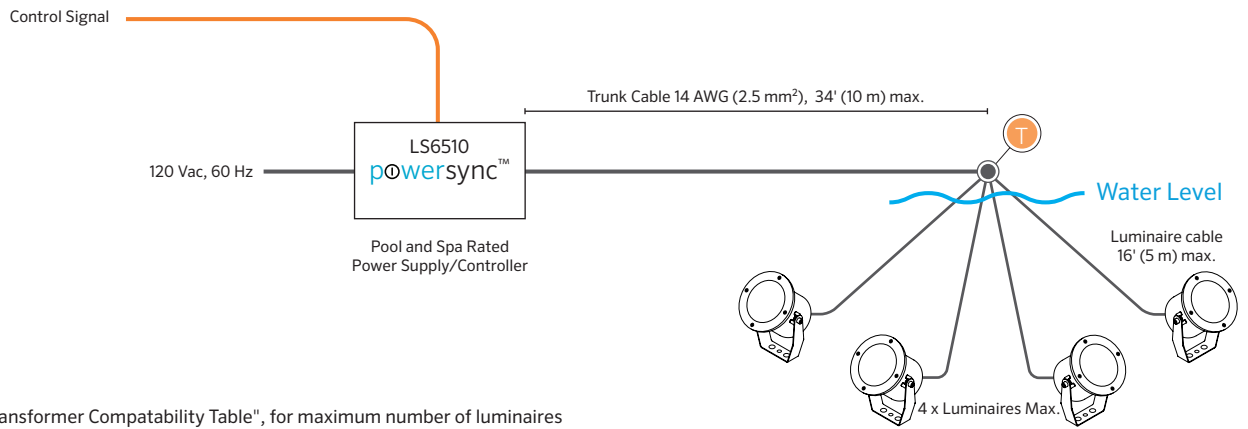
Transformer Compatibility Table

| Luminaire Power | Max. Leader Cable Length from Power Supply to First Luminaire | Maximum Number of Luminaires per Power Supply | | |
|-----------------|---------------------------------------------------------------|-----------------------------------------------|-------|-------|
| | | 120 W | 240 W | 320 W |
| 24 W | 50' (15 m) | 4 | 7 | 9 |
| | 98' (30 m) | 4 | 7 | 7 |
| | 164' (50 m) | 4 | 5 | 5 |

Star Topology – Recommended for Underwater Applications

North American Market

Circuit Limits – Dimmable and Color-Changing via PowerSync™



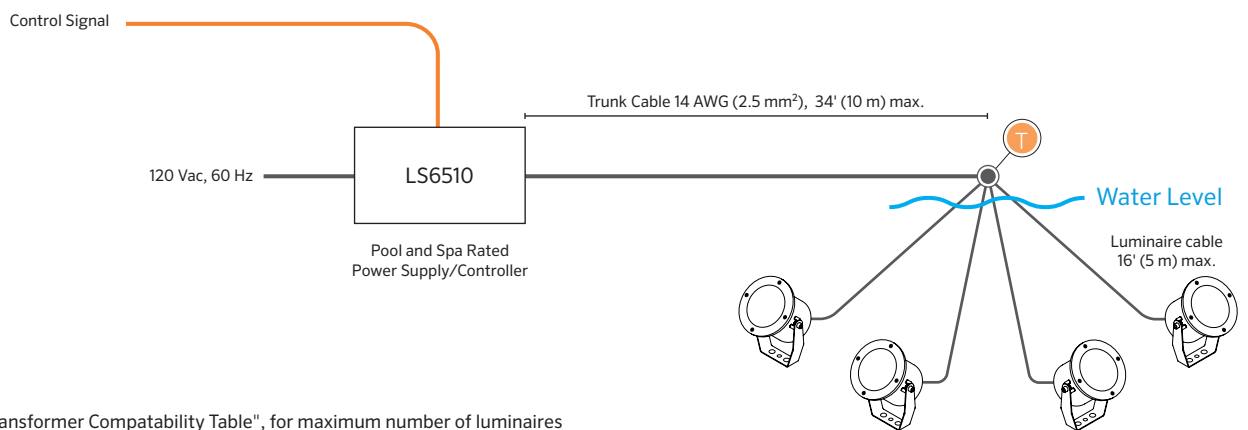
- Refer to "Transformer Compatibility Table", for maximum number of luminaires
- Calculations based on 14 AWG (2.5 mm²) trunk cable, and 16' (5 m) luminaire cable from junction to fittings.
- Always observe local electrical codes for branch circuit current limitations
- For other configurations, contact Lumascape.

Transformer Compatibility Table

| Luminaire Power | Max. Leader Cable Length from Power Supply to First Luminaire | Maximum Number of Luminaires per Power Supply |
|-----------------|---------------------------------------------------------------|-----------------------------------------------|
| | | 240 W |
| 24 W | 34' (10 m) | 4 |
| 48 W | 34' (10 m) | 3 |

T Terminator
Use PowerSync™ terminator, supplied with leader cable to terminate last luminaire in chain.

Circuit Limits – Non-Dimmable, Single Color Only



- Refer to "Transformer Compatibility Table", for maximum number of luminaires
- Calculations based on 14 AWG (2.5 mm²) trunk cable, and 16' (5 m) luminaire cable from junction to fittings.
- Always observe local electrical codes for branch circuit current limitations
- For other configurations, contact Lumascape.

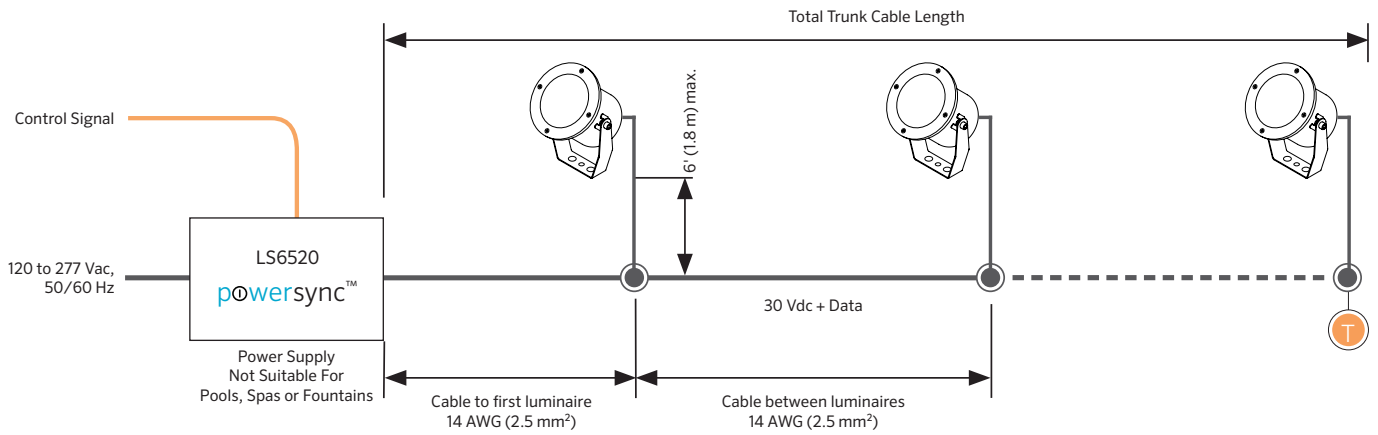
Transformer Compatibility Table

| Luminaire Power | Max. Leader Cable Length from Power Supply to First Luminaire | Maximum Number of Luminaires per Power Supply |
|-----------------|---------------------------------------------------------------|-----------------------------------------------|
| | | 240 W |
| 24 W | 34' (10 m) | 8 |
| 48 W | 34' (10 m) | 3 |

Trunk Topology – Recommended for Above Water Applications

North American Market

Circuit Limits – Dimmable and Color-Changing via PowerSync™



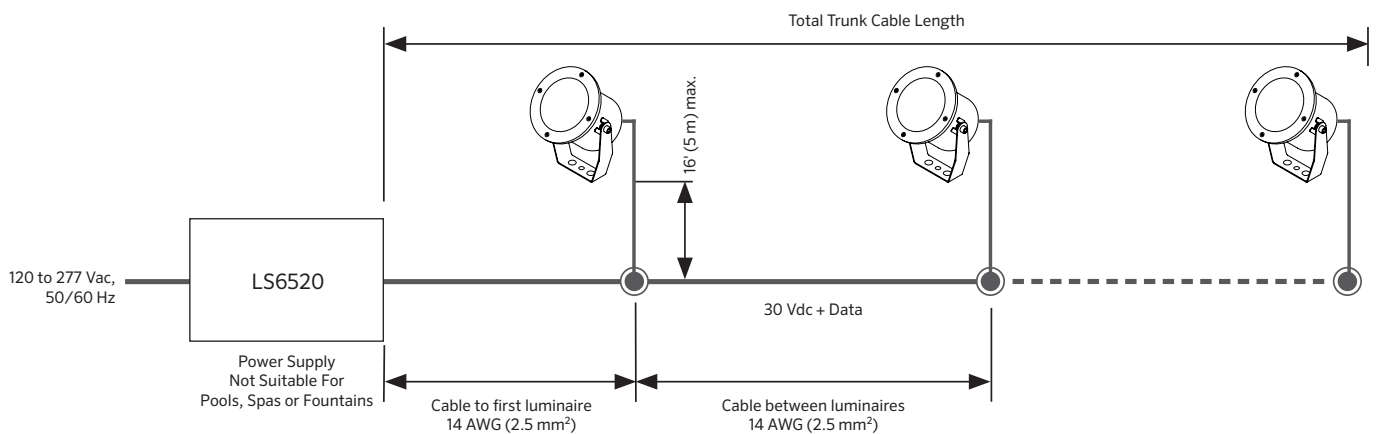
- Refer to "Transformer Compatability Table", for maximum number of luminaires
- Calculations based on 14 AWG (2.5 mm²) trunk cable, and 16' (5 m) trunk cable between luminaires.
- Always observe local electrical codes for branch circuit current limitations
- For other configurations, contact Lumascape.

Transformer Compatability Table

| Luminaire Power | Max. Leader Cable Length from Power Supply to First Luminaire | Maximum Number of Luminaires per Power Supply | | |
|-----------------|---------------------------------------------------------------|-----------------------------------------------|-------|-------|
| | | 120 W | 240 W | 320 W |
| 24 W | 50' (15 m) | 4 | 4 | 4 |
| | 98' (30 m) | 3 | 3 | 3 |
| | 164' (50 m) | 2 | 2 | 2 |

T Terminator
Use PowerSync™ terminator, supplied with leader cable to terminate last luminaire in chain.

Circuit Limits – Non-Dimmable, Single Color Only



- Refer to "Transformer Compatability Table", for maximum number of luminaires
- Calculations based on 14 AWG (2.5 mm²) trunk cable, and 16' (5 m) trunk cable between luminaires.
- Always observe local electrical codes for branch circuit current limitations
- For other configurations, contact Lumascape.

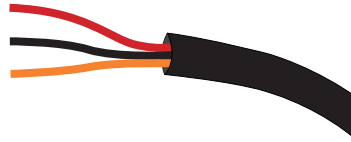
Transformer Compatability Table

| Luminaire Power | Max. Leader Cable Length from Power Supply to First Luminaire | Maximum Number of Luminaires per Power Supply | | |
|-----------------|---------------------------------------------------------------|-----------------------------------------------|-------|-------|
| | | 120 W | 240 W | 320 W |
| 24 W | 50' (15 m) | 4 | 7 | 7 |
| | 98' (30 m) | 4 | 5 | 5 |
| | 164' (50 m) | 3 | 4 | 4 |

Luminaire Wire Colors & Designations

Low Voltage 30 Vdc + PowerSync™

| Designation | Color |
|-------------|--------|
| Positive | Red |
| Negative | Black |
| Data | Orange |



Low Voltage 30 Vdc Non-Dimmable

| Designation | Color |
|-------------|----------|
| Positive | Red |
| Negative | Black |
| Data | Not Used |

